



ST70 / ST90 / ST123 SERIES

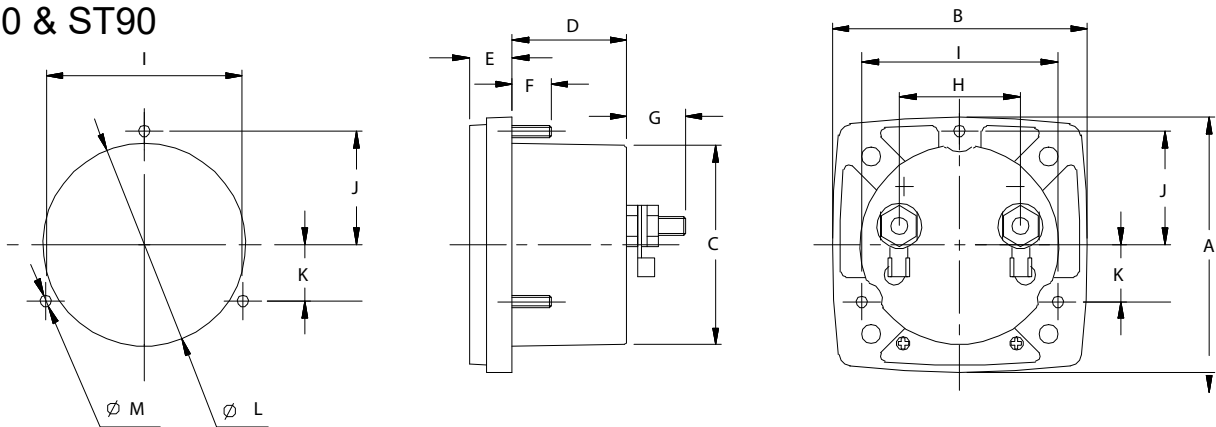
GENERAL SPECIFICATIONS - ST70 / ST90 / ST123

Size: ST70 - 2.5" Square
 ST90 - 3.5" Square
 ST123 - 4.5" Square
Accuracy: All AC & DC Iron Vane +/-2% of Full Scale
 ALL AC Rectifier Type +/-3% of Full Scale
 All Frequency Type +/-0.3HZ
Overload: ALL AC & DC Voltmeters - 50% Momentary / 20% Prolonged
 ALL AC & DC Ammeters - 50% Momentary / 20% Prolonged
 All Frequency Type - 20% Maximum
Burden: AC Ammeters - 0.5VA Maximum
Standards: ANSI C39.1
Approvals: ST70 & ST90 - (UL, cUL, CE (UL File E483274)
 ST123 - CE, UL + cUL Pending

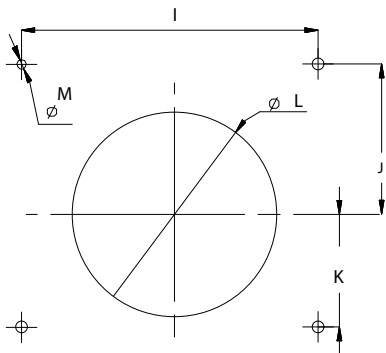


DIMENSIONS

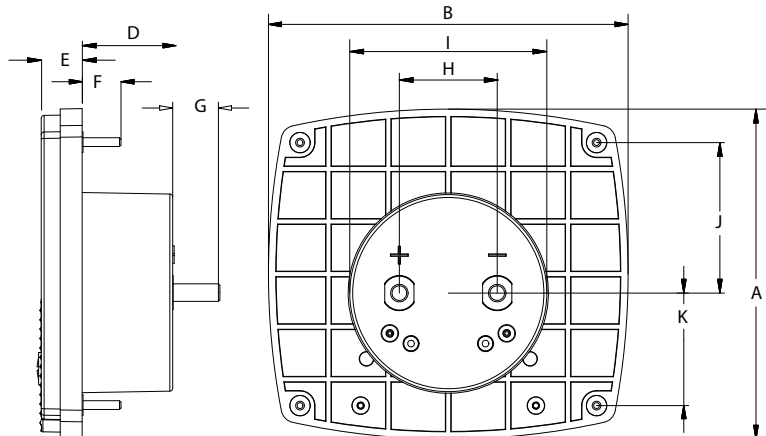
ST70 & ST90



ST123 & ST70/90 Opt 4 Stud



ST123



| MODELS | A | B | C | D | E | F | G | H | I | J | K | L | M |
|-----------------|-------------|-------------|------------|------------|-----------|-------------|------------|------------|---------------|--------------|--------------|------------|-------------|
| ST70 (3 Stud) | 72mm/2.83" | 72mm/2.83" | 54mm/2.12" | 31mm/1.22" | 13mm/0.5" | 10.5mm/.41" | 15mm/.59" | 33mm/1.30" | 53mm/2.08" | 30.5mm/1.20" | 15.5mm/0.61" | 55mm/2.17" | 3.5mm/0.14" |
| ST70 Opt 4 Stud | 72mm/2.83" | 72mm/2.83" | 54mm/2.12" | 31mm/1.22" | 13mm/0.5" | 10.5mm/.41" | 15mm/.59" | 33mm/1.30" | 48mm/1.88" | 24mm/0.95" | 24mm/0.95" | 55mm/2.17" | 3.5mm/0.14" |
| ST90 (3 Stud) | 92mm/3.6" | 92mm/3.6" | 68mm/2.68" | 31mm/1.22" | 13mm/0.5" | 10.5mm/.41" | 16mm/0.63" | 33mm/1.30" | 69.28mm/2.73" | 60mm/2.36" | 20mm/.79" | 70mm/2.76" | 3.5mm/0.14" |
| ST90 Opt 4 Stud | 92mm/3.6" | 92mm/3.6" | 68mm/2.68" | 31mm/1.22" | 13mm/0.5" | 10.5mm/.41" | 16mm/0.63" | 33mm/1.30" | 57mm/2.25" | 57mm/2.25" | 20mm/.79" | 70mm/2.76" | 3.5mm/0.14" |
| ST123 (4 Stud) | 123mm/4.85" | 113mm/4.45" | 68mm/2.68" | 31mm/1.22" | 18mm/0.7" | 10.5mm/.41" | 16mm/0.63" | 33mm/1.30" | 101.6mm/4.00" | 52mm/2.03" | 38.5mm/1.52" | 70mm/2.76" | 3.5mm/0.14" |

POWER MEASUREMENT AND CONTROL SPECIALISTS

STANDARD PART NUMBERS

2.5" AC VOLTMETERS

| Model | Input | Scale |
|--------------|-----------|-----------|
| ST70150V150V | 0-150V,AC | 0-150V,AC |
| ST70300V150V | 0-300V,AC | 0-300V,AC |
| ST70600V600V | 0-600V,AC | 0-600V,AC |
| ST70150V600V | 0-150V,AC | 0-600V,AC |
| ST70300V600V | 0-300V,AC | 0-600V,AC |

Note: Also available in moving coil rectifier type.
Please consult factory.

2.5" DC VOLTMETERS

| Model | Input | Scale |
|----------------|-----------|-----------|
| ST70DC30V30V | 0-30V,DC | 0-30V,DC |
| ST70DC50V50V | 0-50V,DC | 0-50V,DC |
| ST70DC100V100V | 0-100V,DC | 0-100V,DC |
| ST70DC150V150V | 0-150V,DC | 0-150V,DC |
| ST70DC300V300V | 0-300V,DC | 0-300V,DC |

2.5" AC AMMETERS

| Model | Input | Scale |
|------------|---------|-----------|
| ST705A50A | 0-5A,AC | 0-50A,AC |
| ST705A100A | 0-5A,AC | 0-100A,AC |
| ST705A150A | 0-5A,AC | 0-150A,AC |
| ST705A200A | 0-5A,AC | 0-200A,AC |
| ST705A**A | 0-5A,AC | 0-**A,AC |

Note:**advise desired CT ratio / end scale value.

2.5" FREQUENCY METERS

| Model | Input | Scale |
|-------------|---------|---------|
| ST70HZ55651 | 120V,AC | 55-65HZ |
| ST70HZ45651 | 120V,AC | 45-65HZ |
| ST70HZ45551 | 120V,AC | 45-55HZ |
| ST70HZ55652 | 240V,AC | 55-65HZ |
| ST70HZ45652 | 240V,AC | 45-65HZ |
| ST70HZ45552 | 240V,AC | 45-55HZ |

2.5" DC INDICATORS

| Model | Input | Scale |
|----------------|-----------|-------|
| ST70DC50mV/** | 0-50mV,DC | 0-** |
| ST70DC1mA/** | 0-1mA,DC | 0-** |
| ST70DC420mA/** | 4-20mA,DC | 0-** |
| ST70DC***V/** | 0-***V,DC | 0-** |

Note:**=advise end scale value and caption
Note:***=advise end scale voltage input.

3.5" AC VOLTMETERS

| Model | Input | Scale |
|--------------|-----------|-----------|
| ST90150V150V | 0-150V,AC | 0-150V,AC |
| ST90300V300V | 0-300V,AC | 0-300V,AC |
| ST90600V600V | 0-600V,AC | 0-600V,AC |
| ST90150V600V | 0-150V,AC | 0-600V,AC |
| ST90300V600V | 0-300V,AC | 0-600V,AC |

Note: Also available in moving coil rectifier type.
Please consult factory.

3.5" DC VOLTMETERS

| Model | Input | Scale |
|----------------|-----------|-----------|
| ST90DC30V30V | 0-30V,DC | 0-30V,DC |
| ST90DC50V50V | 0-50V,DC | 0-50V,DC |
| ST90DC100V100V | 0-100V,DC | 0-100V,DC |
| ST90DC150V150V | 0-150V,DC | 0-150V,DC |
| ST90DC300V300V | 0-300V,DC | 0-300V,DC |

3.5" AC AMMETERS

| Model | Input | Scale |
|------------|---------|-----------|
| ST905A50A | 0-5A,AC | 0-50A,AC |
| ST905A100A | 0-5A,AC | 0-100A,AC |
| ST905A150A | 0-5A,AC | 0-150A,AC |
| ST905A200A | 0-5A,AC | 0-200A,AC |
| ST905A**A | 0-5A,AC | 0-**A,AC |

Note:**advise desired CT ratio / end scale value.

3.5" FREQUENCY METERS

| Model | Input | Scale |
|-------------|---------|---------|
| ST90HZ55651 | 120V,AC | 55-65HZ |
| ST90HZ45651 | 120V,AC | 45-65HZ |
| ST90HZ45551 | 120V,AC | 45-55HZ |
| ST90HZ55652 | 240V,AC | 55-65HZ |
| ST90HZ45652 | 240V,AC | 45-65HZ |
| ST90HZ45552 | 240V,AC | 45-55HZ |

3.5" DC INDICATORS

| Model | Input | Scale |
|----------------|-----------|-------|
| ST90DC50mV/** | 0-50mV,DC | 0-** |
| ST90DC1mA/** | 0-1mA,DC | 0-** |
| ST90DC420mA/** | 4-20mA,DC | 0-** |
| ST90DC***V/** | 0-***V,DC | 0-** |

Note:**=advise end scale value and caption
Note:***=advise end scale voltage input.

4.5" AC VOLTMETERS

| Model | Input | Scale |
|---------------|-----------|-----------|
| ST123150V150V | 0-150V,AC | 0-150V,AC |
| ST123300V300V | 0-300V,AC | 0-300V,AC |
| ST123600V600V | 0-600V,AC | 0-600V,AC |
| ST123150V600V | 0-150V,AC | 0-600V,AC |
| ST123300V600V | 0-300V,AC | 0-600V,AC |

Note: Also available in moving coil rectifier type.
Please consult factory.

4.5" DC VOLTMETERS

| Model | Input | Scale |
|-----------------|-----------|-----------|
| ST123DC30V30V | 0-30V,DC | 0-30V,DC |
| ST123DC50V50V | 0-50V,DC | 0-50V,DC |
| ST123DC100V100V | 0-100V,DC | 0-100V,DC |
| ST123DC150V150V | 0-150V,DC | 0-150V,DC |
| ST123DC300V300V | 0-300V,DC | 0-300V,DC |

4.5" AC AMMETERS

| Model | Input | Scale |
|-------------|---------|-----------|
| ST1235A50A | 0-5A,AC | 0-50A,AC |
| ST1235A100A | 0-5A,AC | 0-100A,AC |
| ST1235A150A | 0-5A,AC | 0-150A,AC |
| ST1235A200A | 0-5A,AC | 0-200A,AC |
| ST1235A*A | 0-5A,AC | 0-**A,AC |

Note:**advise desired CT ratio / end scale value.

4.5" FREQUENCY METERS

| Model | Input | Scale |
|--------------|---------|---------|
| ST123HZ55651 | 120V,AC | 55-65HZ |
| ST123HZ45651 | 120V,AC | 45-65HZ |
| ST123HZ45551 | 120V,AC | 45-55HZ |
| ST123HZ55652 | 240V,AC | 55-65HZ |
| ST123HZ45652 | 240V,AC | 45-65HZ |
| ST123HZ45552 | 240V,AC | 45-55HZ |

4.5" DC INDICATORS

| Model | Input | Scale |
|----------------|-----------|-------|
| ST123DC50mV/* | 0-50mV,DC | 0-** |
| ST123DC1mA/** | 0-1mA,DC | 0-** |
| ST123DC420mA/* | 4-20mA,DC | 0-** |
| ST123DC***V/** | 0-***V,DC | 0-** |

Note:**=advise end scale value and caption
Note:***=advise end scale voltage input.

AVAILABLE OPTIONS

Panel Gaskets, NEMA4, Rectifier Movements (25-1000HZ), Improved Accuracy, Colored Dials, Custom Artwork, Customer Logo, ect...

SPECIFICATION

PC&S believes in continuous product development and reserves the right to modify and alter the specifications contained in this brochure as required, and without notice.
WARRANTY

PC&S, at its sole discretion, agrees to repair, or replace, or refund the purchase price of the product contained herein that are found to be defective in material or workmanship, or do not conform to specifications, if written notice is received by PC&S within 1 year from date of shipment. PC&S assumes no liability, expressed or implied beyond the obligation to repair, replace, or refund the purchase price of the defective material.



Power Measurement Specialists